

create with light.

kiiikoTM
led

Installation Instructions

LINEAR LED

Installation Instructions

Kiiko Linear LED

Kiiko extrusions are available in surface mounted, recessed, corner mounted and suspended profiles.

This document will guide you through the LED strip installation and mounting process.

Please note, your Kiiko profile may vary slightly from the illustrated diagrams in this document.



Available Profiles



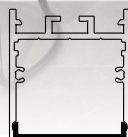
Surface



Recessed



Corner



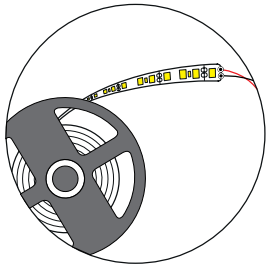
Suspended

PLEASE READ THE FOLLOWING INSTRUCTIONS CAREFULLY.

- Although LED runs on low voltage (SELV), always isolate the power supply before installing.
- Unauthorised modifications to this product will void the warranty conditions.
- Kiiko is not responsible if this fixture is not installed in accordance with Australian safety standards.
- LED must be connected in parallel respecting polarities.
- When choosing power supplies, please consider the maximum power consumption of LEDs you have to install.
- Kiiko must not be covered by thermalisolating materials.
- Do not use silicon over the LED chips.
- The LED strip must only be cut at the predefined cut points.

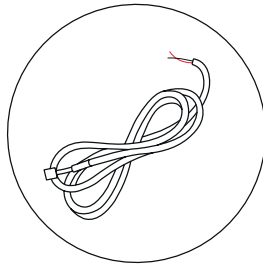
MATERIALS REQUIRED

Materials and tools required for installation.



LED strip lighting

NOTE: This may be supplied with custom orders

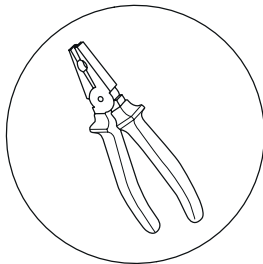


Cable at the required installation length

NOTE: This may be supplied with custom orders



Adhesive such as glue or tape and/or flat top or countersunk screws as required.



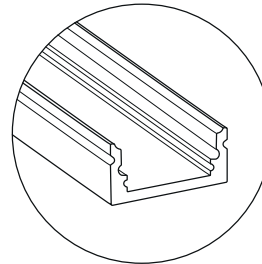
Any other materials and tools normally required to install lighting fixtures.

MATERIALS SUPPLIED

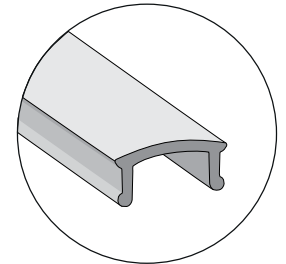
Supplied materials required for installation.

OPTION 1: PRE-PURCHASED TUBE

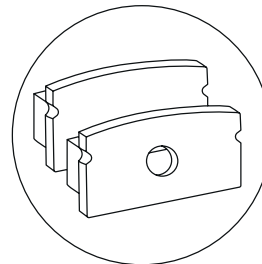
If you have purchase a prepackaged tube from a wholesaler, the following items will be included in the package;



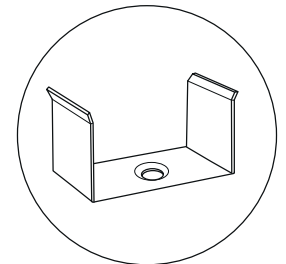
5 x 2500mm
Aluminum profiles



5 x 2500mm
Frosted diffusers



30 x Closed end caps
15 x Open end caps



30 x Clips

Please contact the Wholesaler if any of the above items are missing.

OPTION 2: CUSTOM ORDER

If you are installing a custom order from Kiiko, please confirm the quantities and items provided match the invoice or delivery docket.

For custom orders, the LED strip lighting and cable may be supplied separately with the extrusion components.

Please contact your Wholesaler or Kiiko via hello@kiiko.com.au with the order number if you believe any components are missing.

CABLE

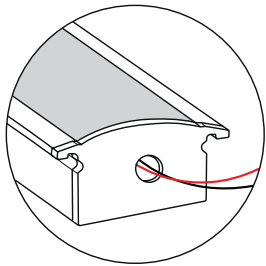
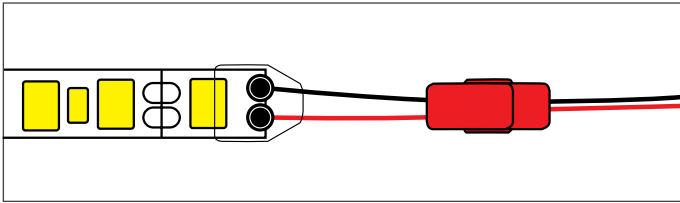
How to feed the cable through the profile.

The cable can either be fed through the end cap (example 1) or through the profile (example 2).

For profiles where the end caps will be visible, (such as a suspended profile), we recommend taking the cable through the profile.

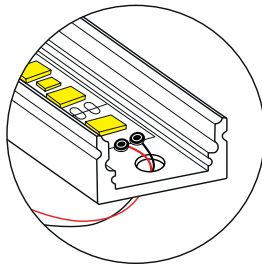
To do this, drill an 8mm hole into the base of the profile where required. Then the quick connector can be fed through this hole during the LED strip installation.

CABLE DIAGRAM



EXAMPLE 1:

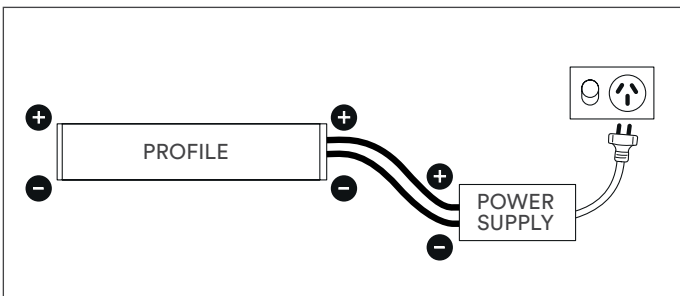
Through the end cap



EXAMPLE 2:

Through the profile

WIRING DIAGRAM



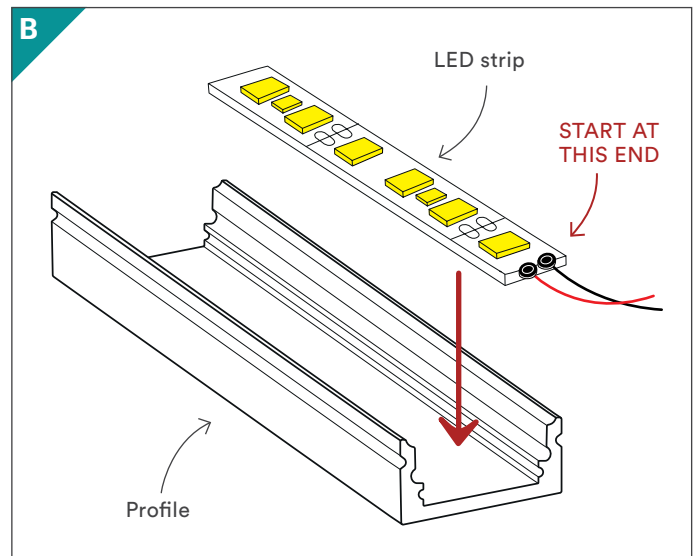
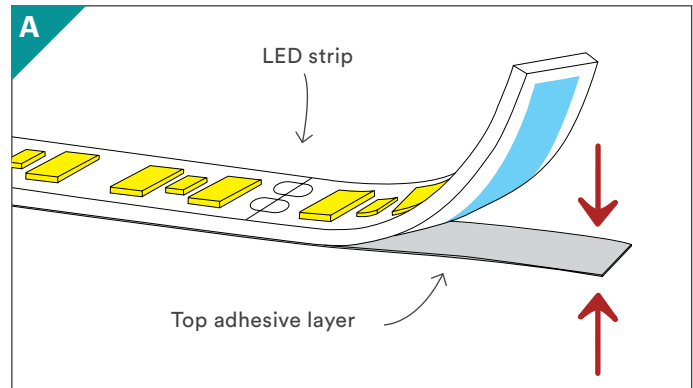
LED STRIP

How to install the LED strip.

Before installation, please ensure the Kiiko profile is clean and free of all dust particles. Trim the LED strip to size (if required), and peel back the top adhesive layer.

Beginning at the connected end, carefully stick the LED strip to the Kiiko profile. Please ensure the LED strip is completely flat to provide good, even contact to the profile.

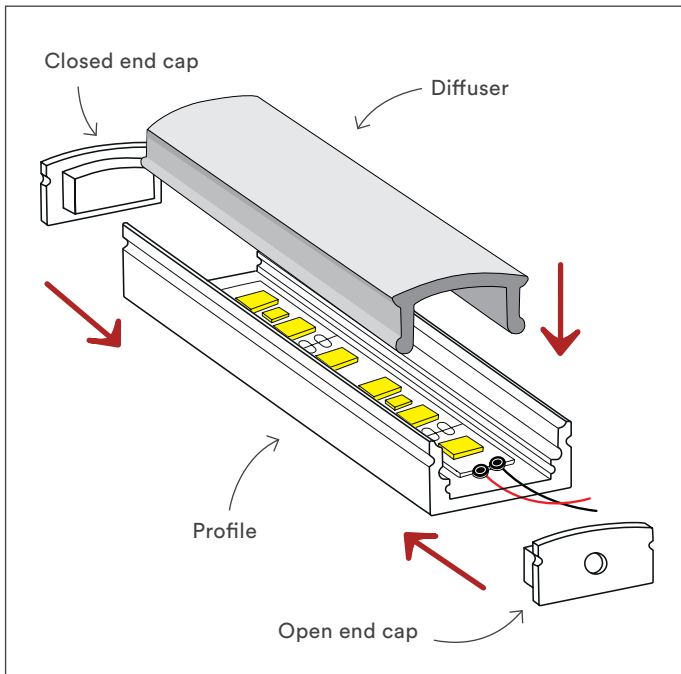
NOTE: If you are not using mounting clips to attach the profile, please fix the profile in to place before installing the LED strip. Mounting instructions over the page.



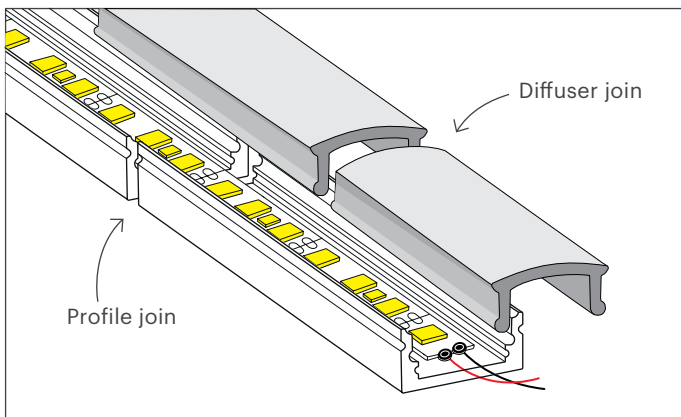
PROFILE ASSEMBLY

How to assemble the profile.

After the LED strip has been installed, attach both end caps to the Kiiko profile, then clip the diffuser in to place. For lengths greater than 2500mm please offset the diffuser join to the profile join.

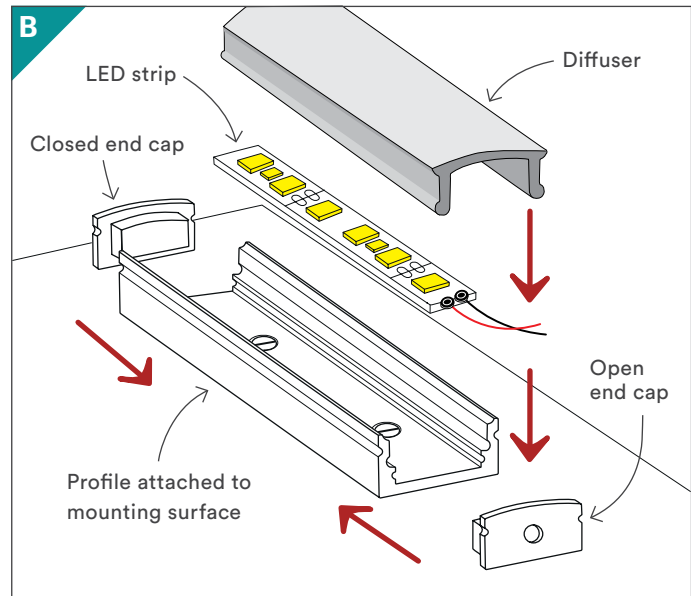
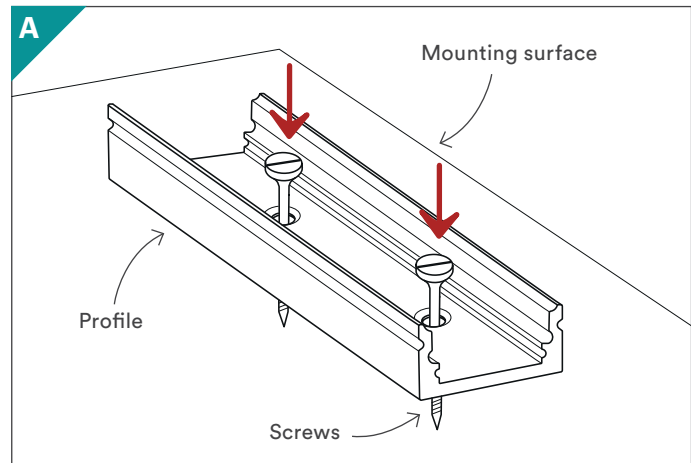


OFFSET JOINS



SURFACE MOUNTED EXAMPLE MOUNTING WITH SCREWS

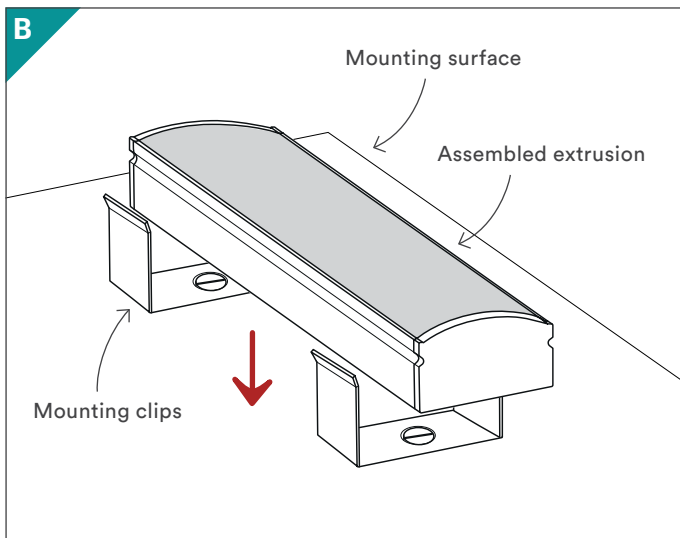
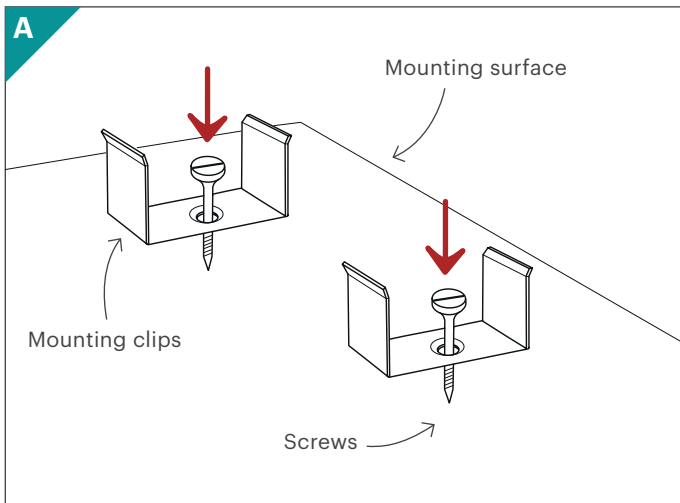
When installing the Kiiko profile with screws only, screw the extrusion into place before installing the LED Strip. Screw the profile to the install location using 4 gauge screws (not supplied). Then clean the profile so it is free of all dust particles. Carefully install the LED strip to the Kiiko profile (as shown on page 6) and then attach the end caps followed by the diffuser (as shown on page 7).



SURFACE MOUNTED EXAMPLE MOUNTING WITH CLIPS

When installing the Kiiko profile with the supplied mounting clips, screw the clips to the install location with 4 gauge screws (not supplied). Then clip the assembled extrusion in place (how to assemble the extrusion is demonstrated on pages 6 and 6).

Surface mounted profiles can also be mounted with glue only (page 10) or with screws only (page 8).



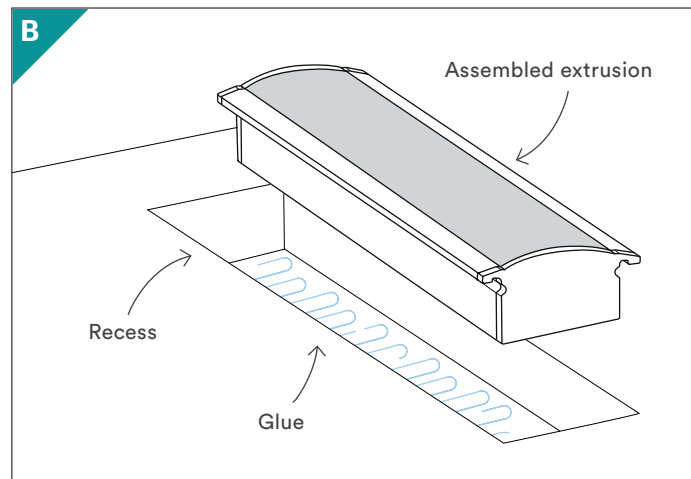
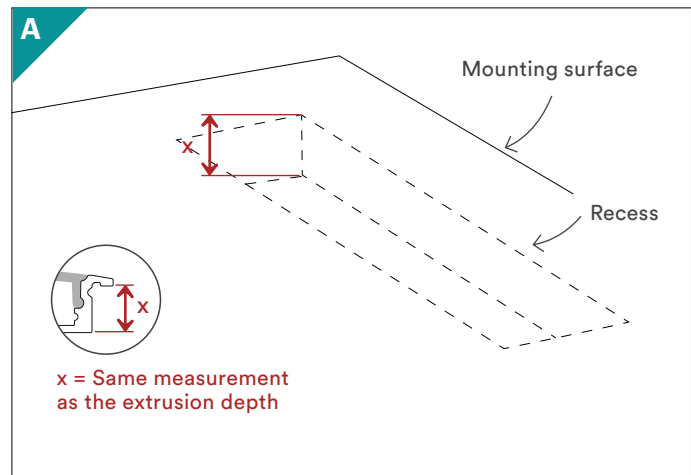
RECESSED EXAMPLE MOUNTING WITH GLUE

To install a recessed profile, cut out or create the recess in the install location if required. Please refer to the extrusion technical drawing for measurements.

The recess depth should be equal to the measurement from the bottom of the extrusion to just under the top lip.

If you were not provided with technical drawings please search the product name via our website kiiko.com.au

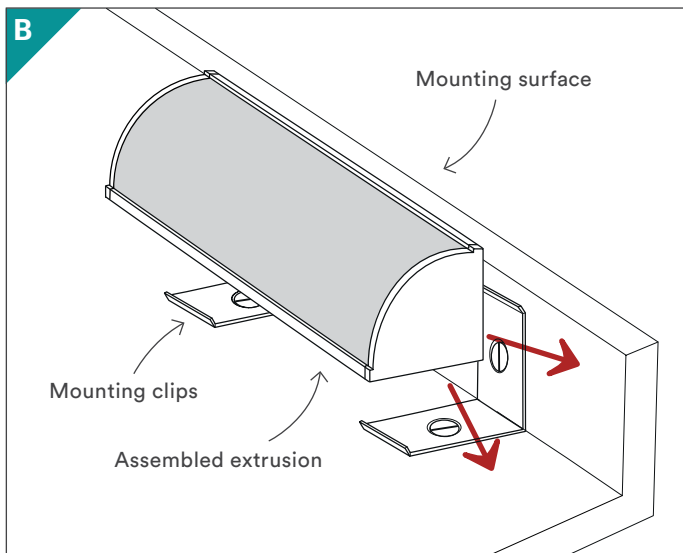
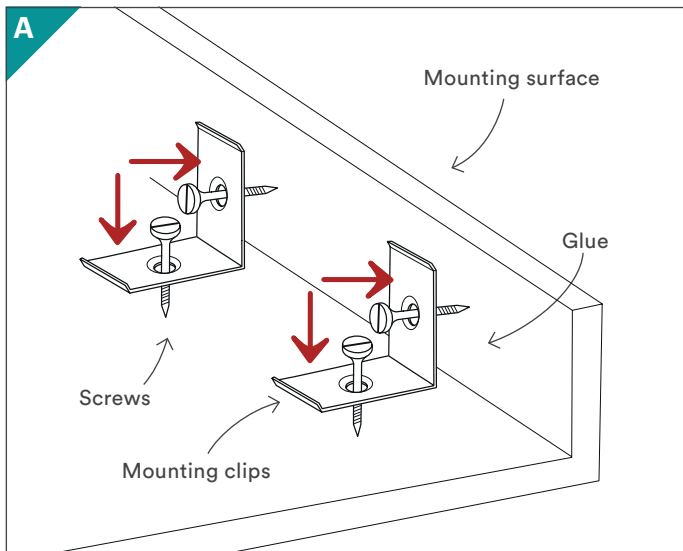
Then glue (as per below), screw (page 7) or clip the profile into place with mounting clips (page 8).



CORNER MOUNTED EXAMPLE MOUNTING WITH CLIPS

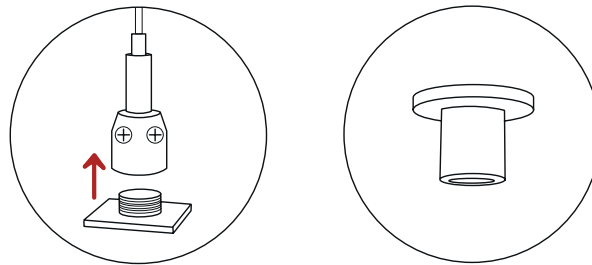
Corner mounted profiles can be installed in locations with a 90° angle.

The profile can be screwed (page 8), glued (page 10) or installed with the mounting clips (as shown below).



SUSPENDED EXAMPLE HANGING

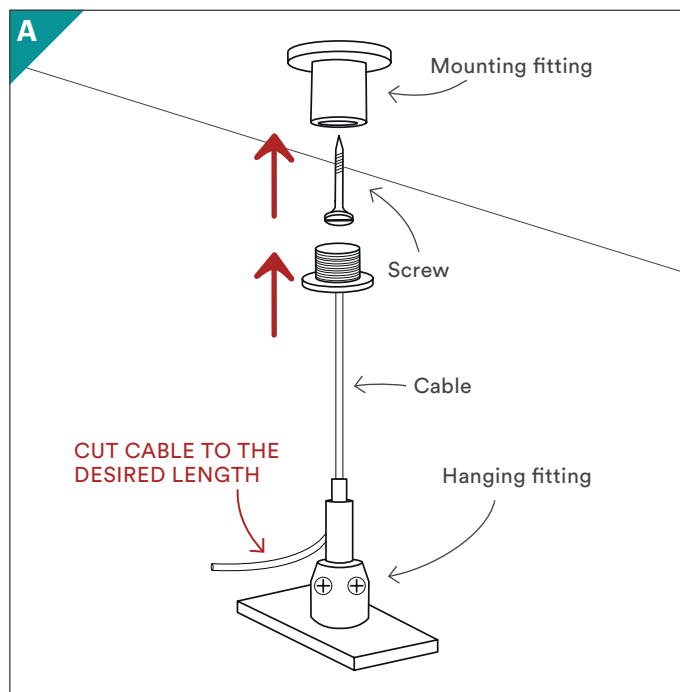
If you are installing a suspended Kiiko, you would have been supplied with the following additional materials; 2 x hanging fixtures and 2 x mounting fixtures.



2x Hanging fitting

2x Mounting fitting

To install, screw the mounting fittings into the ceiling at the required distance apart. Then screw the hanging fittings into the installed mounting fittings, as shown in the diagram below. The hanging cable can be cut to any desired length. Please refer to page 13 for further installation instructions.

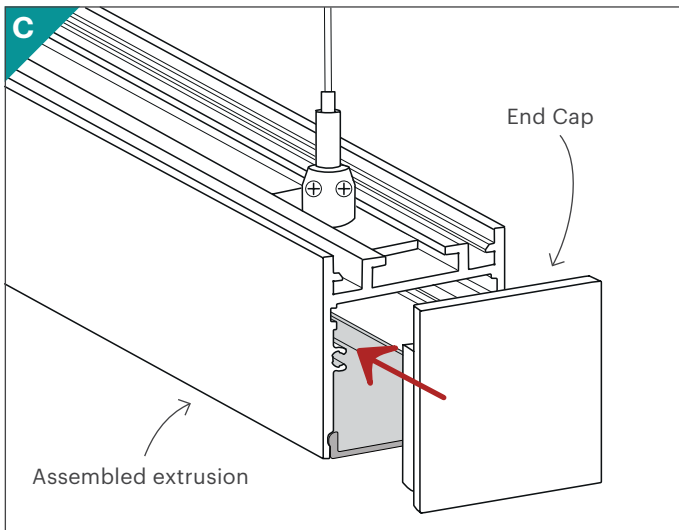
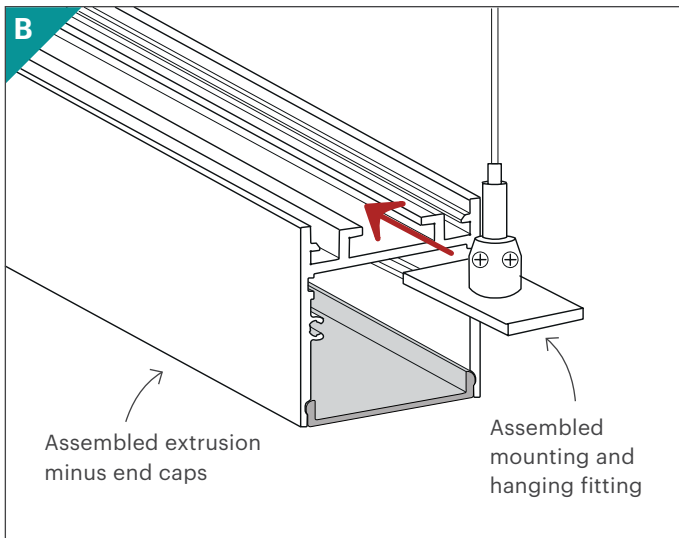


SUSPENDED EXAMPLE

HANGING CONTINUED

Assemble the profile by carefully installing the LED strip to the Kiiko profile (as shown on page 6) and then attach the diffuser. Do not install the end caps at this stage.

Next, slide the assembled profile on to the assembled mounting and hanging fittings. Once the profile has been attached to both fittings install the end caps.



WARRANTY INFORMATION

For any questions relating to the warranty on your Kiiko product please contact us at hello@kiiko.com.au

create with light.

kiiko[™]
led

kiiko.com.au

+61 7 3890 5095

hello@kiiko.com.au

Unit 11/18 Ellerslie Road, Meadowbrook
Queensland 4131 Australia